

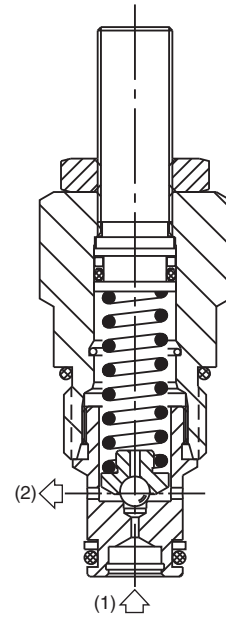
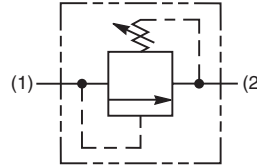
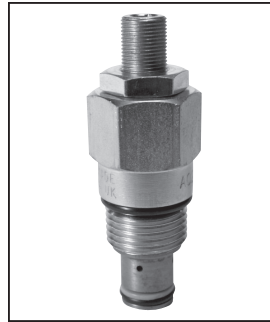
- CV** Check Valves
- SH** Shuttle Valves
- LM** Load/Motor Controls
- FC** Flow Controls
- PC** Pressure Controls
- LE** Logic Elements
- DC** Directional Controls
- SV** Solenoid Valves
- PV** Proportional Valves
- CE** Coils & Electronics
- BC** Bodies & Cavities
- TD** Technical Data

General Description

Direct Acting Ball-Type Relief Valve. For additional information see Technical Tips on pages PC1-PC4.

Features

- Fast response
- Ideal for controlling ventable relief valves, or for thermal relief
- Hardened working parts for maximum durability
- Integral 250 micron inlet filter available
- All external parts zinc plated



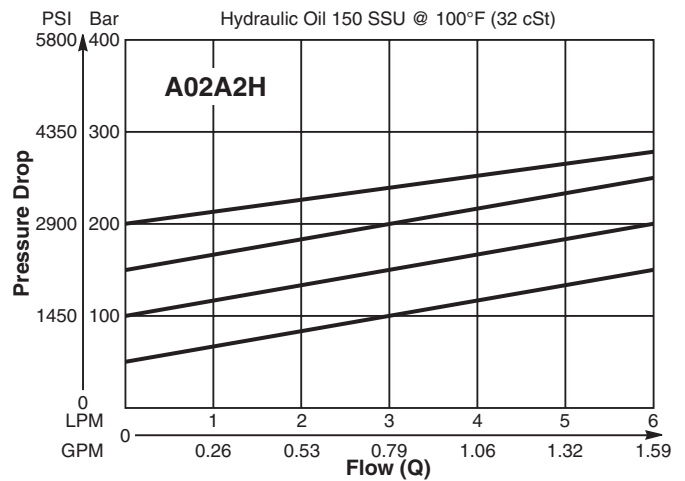
Specifications

Rated Flow	6 LPM (1.6 GPM)
Maximum Inlet Pressure	H - 10-210 Bar (145-3000 PSI) P - 10-420 Bar (145-6000 PSI)
Maximum Pressure Setting	420 Bar (6000 PSI)
Sensitivity: Pressure/Turn	H 30 Bar (435 PSI) P 55 Bar (800 PSI)
Maximum Tank Pressure	420 Bar (6000 PSI)
Leakage at 150 SSU (32 cSt)	5 drops/min. @100 Bar (1450 PSI)
Cartridge Material	All parts steel. All operating parts hardened steel.
Fluid Compatibility/ Viscosity	Mineral-based or synthetic with lubricating properties at viscosities of 45 to 2000 SSU (6 to 420 cSt)
Filtration	ISO-4406 18/16/13, SAE Class 4
Approx. Weight	0.11 kg (0.24 lbs.)
Cavity	C08-2 (See BC Section for more details)
Form Tool	Rougher None Finisher NFT08-2F

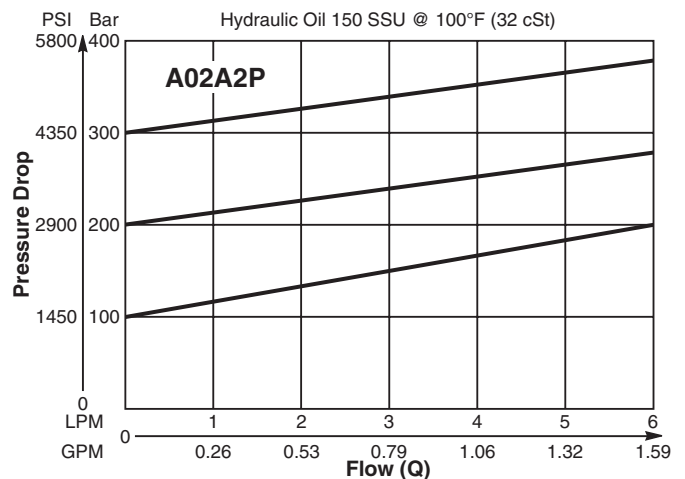
Performance Curves

(Pressure rise through cartridge only)

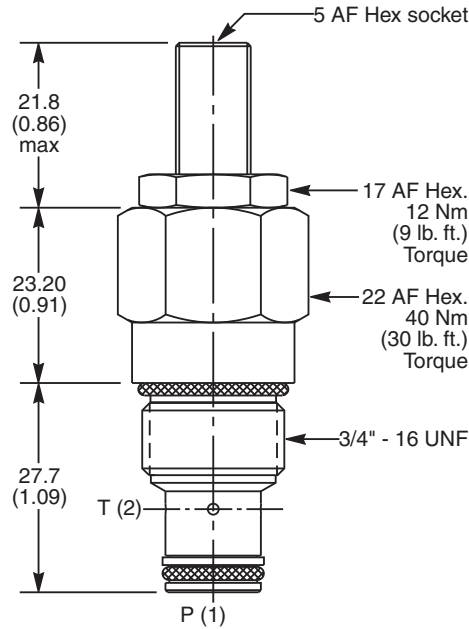
Flow vs. Inlet Pressure



Flow vs. Inlet Pressure



Dimensions Millimeters (Inches)



Ordering Information

A02A2		Z	N
08 Size Direct Acting Relief Valve	Pressure Adjustment Range	Adjustment Style	Seals

Code	Pressure Adjustment Range
H	10 - 210 Bar (145 - 3000 PSI)
P	10 - 420 Bar (145 - 6000 PSI)

Code	Adjustment Style
Z	Screw Adjust

Code	Seals / Kit No.	Operating Temp.
N	Nitrile, Buna-N / (SK30515N-1)	-34°C to +121°C (-30°F to +250°F)

Standard Pressure Setting
A02A2H Standard Setting: 100 Bar (1400 PSI) @ 0.5 LPM (0.13 GPM)
A02A2P Standard Setting: 200 Bar (2900 PSI) @ 0.5 LPM (0.13 GPM)

Valves are supplied at Standard setting. Other settings are available, please contact Parker Sales.

Order Bodies Separately See section BC

B08	—	2	—	6B
08 Size		2-Way Cavity		Port Size
Port Size		Body Material		
3/8" BSP		Steel		